

FEDERAL SUPPLY CLASS  
5306

RATIONALE

REVISE LEAD END CHAMFER REQUIREMENTS, ADD NEW NOTE FOR DISPOSITION OF EXISTING INVENTORY, GENERAL EDITORIAL UPDATES.

NOTICE

THE INITIAL SAE PUBLICATION OF THIS DOCUMENT WAS TAKEN DIRECTLY FROM U.S. MILITARY STANDARD MS9750, NOTICE 1. THIS SAE STANDARD MAY RETAIN THE SAME PART NUMBERS ESTABLISHED BY THE ORIGINAL MILITARY DOCUMENT.

ANY REQUIREMENTS ASSOCIATED WITH QUALIFIED PRODUCTS LISTS (QPL'S) MAY CONTINUE TO BE MANDATORY FOR DoD CONTRACTS. REQUIREMENTS RELATING TO QPL'S HAVE NOT BEEN ADOPTED BY THE SAE FOR THIS STANDARD AND ARE NOT PART OF THIS SAE DOCUMENT.

REV.  
B

AS9750™

SAE Technical Standards Board Rules provide that: "This report is published by SAE to advance the state of technical and engineering sciences. The use of this report is entirely voluntary, and its applicability and suitability for any particular use, including any patent infringement arising therefrom, is the sole responsibility of the user." SAE reviews each technical report at least every five years at which time it may be revised, reaffirmed, stabilized, or cancelled. SAE invites your written comments and suggestions.

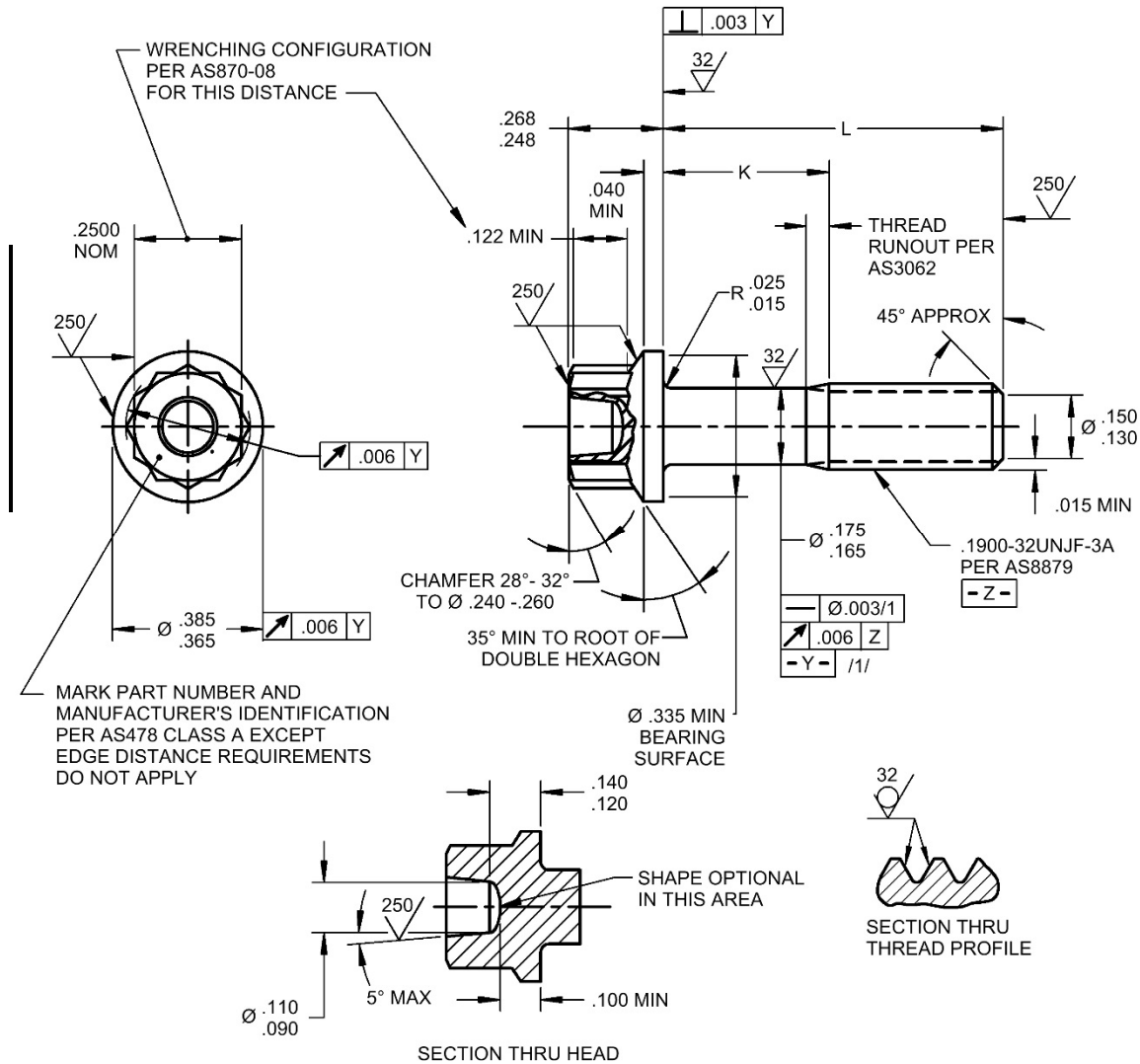
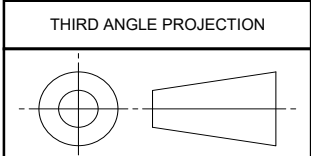


FIGURE 1 - BOLT

SAE values your input. To provide feedback on this Technical Report, please visit <http://standards.sae.org/AS9750B>



CUSTODIAN: E-25

PROCUREMENT SPECIFICATION: AS7461



AEROSPACE STANDARD

BOLT, MACHINE - DOUBLE HEXAGON EXTENDED WASHER HEAD, PD SHANK, AMS4967 (TI 6AL - 4V), .1900-32 UNJF-3A

AS9750™  
SHEET 1 OF 2

REV.  
B

ISSUED 2000-08 REAFFIRMED 2005-05 REVISED 2019-03